



The eLinX® Interpreter® Register is an all-digital communication encoder that connects Master Meter’s portfolio of advanced metering technologies to most every AMR or AMI meter reading system in use today.

Built on Master Meter’s patented Interpreter universal register system, eLinX also is an effective retrofit solution for most any third party meter that uses a common bayonet register mount design, while also providing universal communication to third party AMR/AMI system end-points.

The flexible programmable design of eLinX allows this single register to work on most any meter and connect to most any AMR/AMI system, resulting in a simplified inventory and streamlined ongoing meter operations.

Advanced Features:

- **Reliability** — 100% digital electronics. No gears. No moving parts. Solid-state sensor detects magnetic signature and synthetically replicates original meter manufacturer’s register.
- **Flexibility** — eLinX is able to connect meters to most touch-type walk-by systems, AMR drive-by systems, and AMI fixed network platforms.
- **Universal Compatability** — Retrofits most any third party mechanical meter with common bayonet-style register housing including Badger, Neptune, Sensus, Hersey, and Elster.*
- **Connectivity Options** — For customer-connected flexibility eLinX is available with either 2 or 3-wire configuration using terminal screws, or an epoxy encased pre-connected wire with 3 bared copper leads, or with a common industry connector including Nicor or Itron. Also available with pit coil for onsite readings.

*Badger, Neptune, Sensus, Hersey, Elster, Nicor, and Itron are not property of Master Meter. These marks are owned and controlled by their respective trademark owners.



Advanced Features (Cont'd):

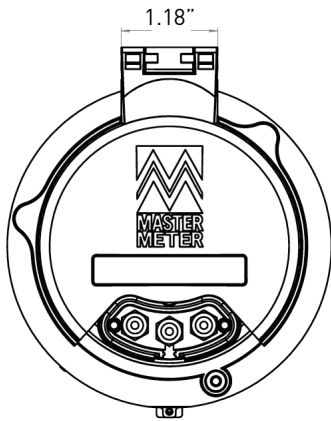
Cost-Effective — The flexible programmable design of eLinX affordably integrates all of your utility's existing meters while eliminating the need to replace current infrastructure.

Environmentally Sound — eLinX is an IP-68 rated, permanently sealed register with a tempered scratch resistant glass lens, stainless steel housing, and wrap around gasket to prevent intrusion of dirt or moisture. Programmable registration includes USG, CF or M3.

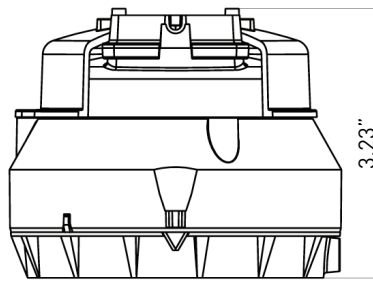
Intelligent Display — Flow direction indication, selected registration, instantaneous rate of flow, leak detection, and display resolution.

Personalized Multiplier Indication — Programmable resolution of the flow multiplier provides a custom-tailored enhanced display (.01, 0.1, 1, 10, 100).

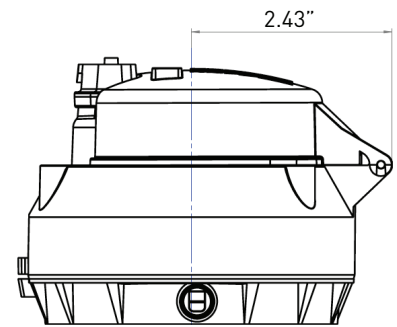
Dimensions



Top View

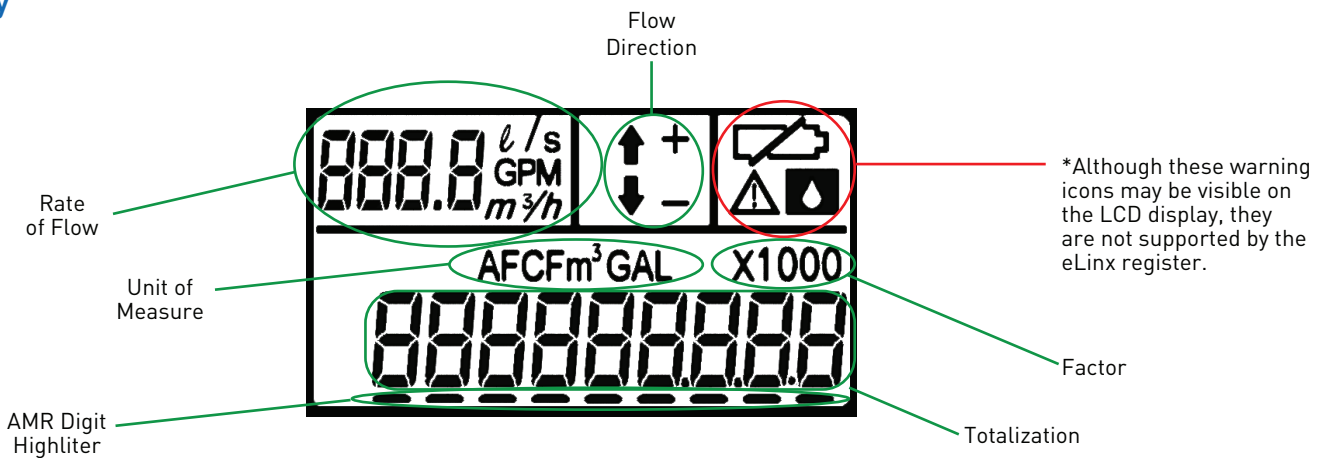


Front View



Side View

Display



v0629.20